


M  **D E R N**
H O U S E
N U M B E R S

Technical Specifications

Updated 04.01.24

Table of Contents

1 General Product Information	4
Materials	5
Fonts	6
Finishes	7
Brushed Aluminum Finish & Powder Coat Finishes	7
Exterior-Grade Vinyl	7
Product Sizes	8
Supplies Required for Installation	9
Caring For Your Numbers, Letters & Plaques	9
Custom Designs	10
Trade Orders	10
Large Quantities	10
Design and Ordering Assistance	10
Sustainability	11
2 Quick Reference Guide	12
Numbers, Letters & Symbols	13
Number + Letter Viewing Distances	14
Number + Letter Spacing	15
Typical Number Illustration	16
QuickShip Products	17
Plaques	18
Plaque Design Options	19
Welcome and Restroom Sign Design Options	20
Plaque Viewing Distances	21
Typical Plaque Illustration	21
Exploded Diagram of Circle Plaque	23
Typical Plaque with Contrast Plate Illustration	24
Exploded Diagram of Circle plaque with Contrast Plate	25
Decals	26
Curb Stencil Decal	27
3 Font Styles	28
Palm Springs	29
SoCal	30
Austin	31

Santa Barbara 32

Backbay 33

SoHo 34

South Beach 35

4 | Product Widths By Font 36

Palm Springs 37

SoCal 40

Austin 42

Santa Barbara 45

Backbay 48

SoHo 51

South Beach 54

5 | About Modern House Numbers 57

Contact Us 58

Our Story 58

1 | General Product Information

[Materials](#)

[Fonts](#)

[Finishes & Colors](#)

[Product Sizes](#)

[Installation](#)

[Care Instructions](#)


[Custom Designs](#)

[Trade & Large Quantities](#)

Materials

All our products are proudly made in the USA.

Numbers, Letters, Symbols & Plaques

- Handcrafted from solid, $\frac{3}{8}$ inch thick, recycled aluminum 
- Plaque Contrast Plate made from $\frac{3}{40}$ inch thick high density polyethylene
- Waterjet cut for precision and premium edge quality

Installation Hardware

- 2 inch long steel studs and $\frac{1}{2}$ inch long aluminum spacers for subtle floating effect
- Steel studs must be fully concealed from the elements for proper and lasting installation
- Concealed mounting hardware included for floating or flush mount installation
- $\frac{1}{2}$ inch stainless steel washers (if optional Contrast Plate is selected)

Vinyl Decals & Curb Stencil

Mailbox Decals

- High quality, exterior grade vinyl
- Individual numbers and letters applied to a single peel-and-stick sheet
- Assembly includes clear top film, vinyl decals, and removable backing
- Will not adhere to cold/frozen, wet, rough, or dirty surfaces

Curb Stencil Decal

- High quality, exterior grade vinyl
- Characters cut from a single use, peel-and-stick vinyl sheet with removable backing
- Assembly includes clear top film and removable backing
- Will not adhere to cold/frozen, wet, rough, or dirty surfaces

Fonts

Numbers, Letters & Symbols

Standard fonts:

- Palm Springs
- SoCal
- Austin
- Santa Barbara
- Backbay
- SoHo
- South Beach

Decals

Standard fonts:

- Palm Springs
- SoCal
- Austin
- Santa Barbara
- Backbay
- SoHo
- South Beach

Plaques

Standard fonts:

- Palm Springs
- SoCal
- Austin

Stencil cut numbers & letters with internal islands have $\frac{1}{8}$ inch solid bridges.

Curb Stencil Decals

Standard fonts:

- Palm Springs
- SoCal
- Austin
- Santa Barbara
- Backbay
- SoHo
- South Beach

Custom fonts and logos available for any product type, upon request, for an additional setup fee.

Finishes

Brushed Aluminum Finish

Our classic finish includes:

- Brushed finish with subtle horizontal grain
- Sealed with a clear, satin, water-based UV-resistant protectant

Exterior-Grade Vinyl

Standard vinyl decal colors include:

- Silver
- Blue
- Brass
- Bronze
- Copper
- Green
- Orange
- White

Powder Coat Finishes

Standard powder coat finish options include:

- Matte Black
- White
- Matte Brass
- Dark Bronze

Contrast plate color options include:

- Matte Black
- White

Powder coat finishes are low-VOC, and are more durable than conventional paint. Won't chip, peel or flake. Highly recommended for coastal and industrial areas.

Product Sizes

Numbers, Letters & Symbols

Standard heights:

- 4 in
- 6 in
- 8 in
- 12 in
- 15 in

Decals

Standard heights:

- 1 in
- 2 in
- 3 in
- 4 in
- 6 in
- 8 in
- 12 in

Plaques

Standard sizes:

- SQUARE: 8"x8"
- CIRCLE: 5", 7" and 10" diameter
- RECTANGLE: 3"x8", 4"x11" and 5x16"

Contrast plate:

- SQUARE: 8"x8"
- CIRCLE: 5", 7" and 10" diameter
- RECTANGLE: 3"x8", 4"x11" and 5x16"

Curb Stencil Decals

Standard size:

- 5 inch tall curb stencil, length varies by character count
- 4 inch tall cut out text with ½" border on all sides

Custom sizes available for any product type, upon request, for an additional setup fee.

Supplies Required for Installation

Numbers, Letters & Symbols and Plaques

Installer provides:

- Drill with 11/64 inch drill bit
- For stone, masonry and concrete surfaces, use a *hammer drill* with 3/16 inch drill bit
- Painters' tape
- Clear, quick drying exterior- grade epoxy
- Rubber mallet
- Level
- Also helpful: soft cloth, paper towels and ruler

Decals

Installer provides:

- Ruler
- Masking tape
- Supplies required to clean surface

Curb Stencil Decal

Installer provides:

- Masking tape
- Painter's paper roll
- Spray paint
- Supplies required to clean surface

Caring For Your Numbers, Letters & Plaques

To extend the effective life of your products, clean them every six months, or every three months in coastal or industrial regions. Use a soft cloth and a mild household detergent solution to remove dust, salt, and other deposits. Rinse gently with clean, fresh water. Dry with a non-abrasive towel.

Custom Designs

Available:

- Custom fonts, sizes, spacing and logos
- Custom plaques sizes, orientations and shapes
- Dimensional digital proof and estimate provided prior to purchase

Trade Orders

Visit our [Trade tab](#) online for image galleries, online bulk orders, and technical resources.

Large Quantities

Custom estimates provided prior to purchase. Dimensioned digital proofs upon request.

- Multiple sets of numbers, letters, or plaques
- Sequential ordering for numbers, letters or plaques
- Monument signs
- Hospitality
- Wayfinding

Design and Ordering Assistance

For product and design suggestions, custom estimates, digital proofs, contact Terry Billingsley, your Trade Representative, at terry@modernhousenumbers.com.

Sustainability

our [Sustainability page](#) online.

Our operations are grounded in sustainable practices and principles. We're always striving to be good stewards of our shared planet.

Here are some of the ways we reduce our environmental impact and carbon footprint:

Our Products:

- We make everything in the USA
- We offer handcrafted products that are made to last
- We make our products to order, reducing dead stock and burden on the landfills
- We do not mass produce or outsource our manufacturing to other countries

Our Materials:

- We use recycled aluminum 100% of the time
- We use technology to maximize every plate of aluminum, and to reduce waste
- We recycle the aluminum by product and scraps produced during manufacturing

Our Process:

- We utilize an energy efficient, low heat water jet process
- We use a water-based, UV protectant topcoat
- Our powder coat finishes are extremely durable and low-VOC, with zero off gassing, and won't chip, rust or flake
- Our shipping boxes and envelopes are made from recycled content, and can be recycled
- Our international shipments are 100% carbon neutral via carbon offsets by the carrier

[Learn how to recycle and repurpose your packaging here.](#) 

2 | Quick Reference Guide

[Numbers, Letters & Symbols](#)

[QuickShip Products](#)

[Plaques](#)

[Decals](#)

[Curb Stencils](#)

Numbers, Letters & Symbols

MATERIALS

PRODUCTS

Solid 3/8" thick, recycled aluminum

MOUNTING HARDWARE

2" steel studs

1/2" aluminum spacers for floating mount

7 FONTS

Palm Springs, SoCal, Austin, Santa Barbara, Backbay, SoHo, South Beach

Custom fonts and logos are available with additional setup fee

5 SIZES

4, 6, 8, 12 and 15 inch high

*Additional sizes available, upon request, for an additional setup fee.
Palm Springs 4 in, 6in, and 8in sizes available via [QuickShip](#).*

5 FINISHES

Brushed Aluminum

Sealed with a clear, satin, UV-resistant topcoat

Matte Black, Matte Brass, Dark Bronze, White
Low-VOC Powder Coat Finishes

Powder coat finish recommended for coastal & industrial areas

INCLUDED WITH YOUR ORDER

- Concealed mounting hardware
- A drilling template with your unique combination of numbers + letters



INSTALLATION INSTRUCTIONS



[Installation Instructions](#)



[Installation Video](#)

HELPFUL LINKS

[Order Numbers + Letters Online](#)

[Product Widths](#)

[Number + Letter Viewing Distances](#)

[Number + Letter Spacing](#)



Number + Letter Viewing Distances

Legibility varies by size, font, character count, installation location and color. To maximize visibility, choose a finish that creates high contrast against the installation surface.

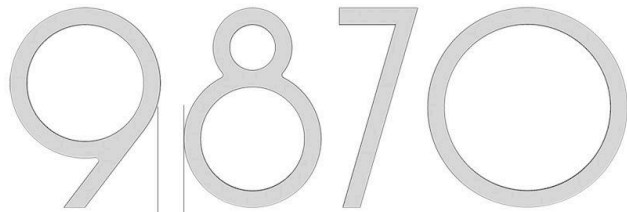
	size / height in inches	example	avg. viewing distance <small>*varies by finish</small>
small	4"	9870	50' or less
medium	6"	9870	100' or less
	8"	9870	150' or less
large	12"	9870	200' or less
	15"	9870	300' or less

Not to scale. For reference only.

Number + Letter Spacing

Use these guidelines to estimate if your installation area is adequate for the size, font and orientation you've selected. For widths of our numbers and letters by font style, refer to the [Product Widths](#) guide. At the time of order, a drilling template with the ideal spacing for your specific combination will be designed by our team. Spacing and overall dimensions may vary.

A. Horizontal Installation



for the height selected, allow a minimum distance between each character of:

4"	1/2" - 1"
6"	1" - 1.5"
8"	1.5" - 2"
12"	2" - 2.5"
15"	2"- 2.5"

B. Vertical Installation

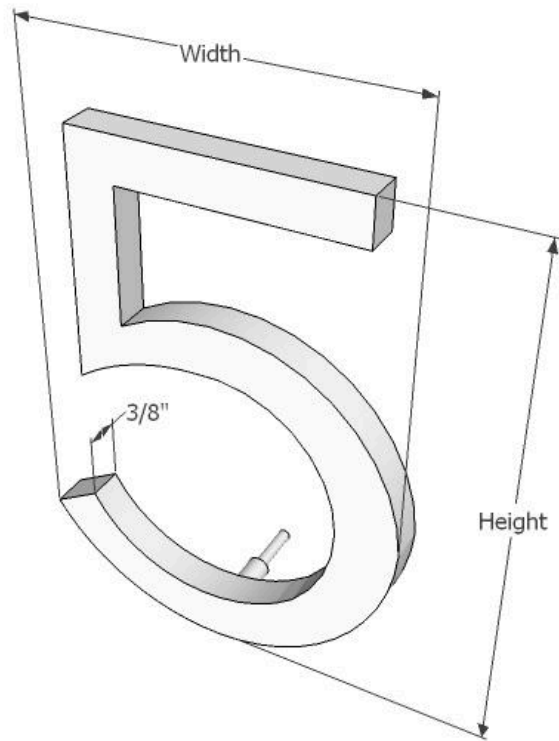


for the height selected, allow a minimum distance between each character of:

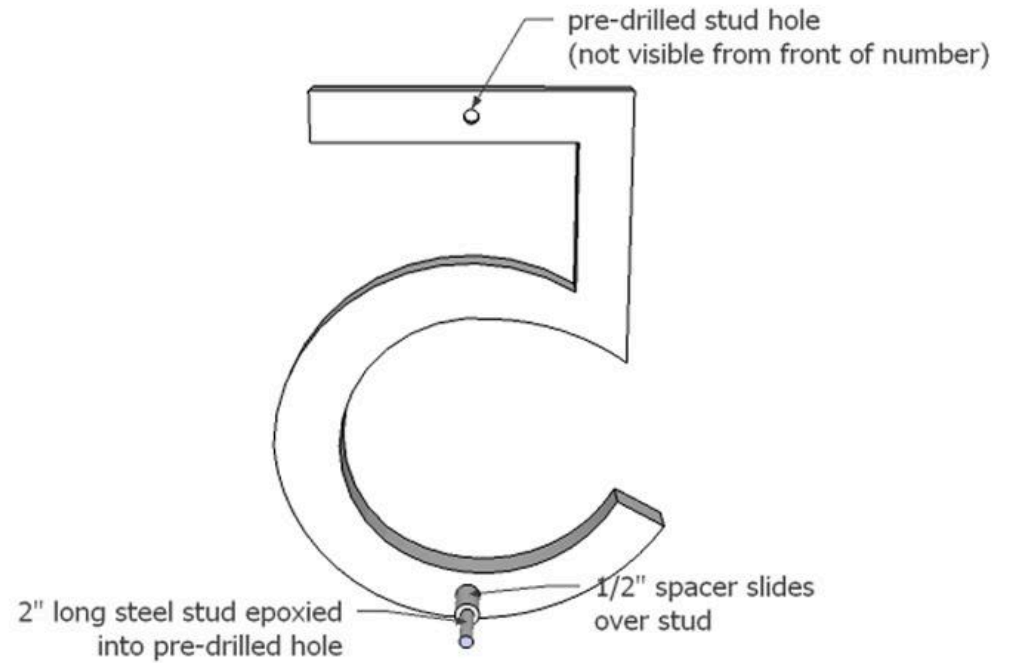
4"	3/4" - 1.5"
6"	1" - 2"
8"	1.5" - 2.5"
12"	2" - 3"
15"	2.5"- 3.5"

Not to scale. For reference only.

Typical Number Illustration



3D View: Typical Number



Back of Typical Number with Hardware

Not to scale. For reference only.

QuickShip Numbers, Letters + Symbols

MATERIALS

PRODUCTS

Solid 3/8" thick, recycled aluminum 🌱

CONCEALED HARDWARE

2" steel studs

1/2" aluminum spacers for floating mount

1 FONT

Palm Springs

3 SIZES

4, 6, 8 inch high

PRODUCT OFFERINGS

NUMBERS 0-9, 1/2 (connected)

LETTERS A-E, N^o, N_o (connected)

SYMBOLS → ▶

2 FINISHES

Brushed Aluminum 🌱

Sealed with a clear, satin, UV-resistant topcoat

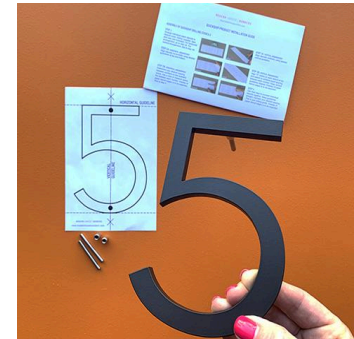
Matte Black Powder Coat

Low-VOC Powder Coat Finish 🌱

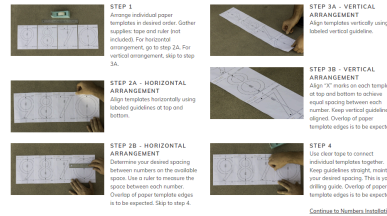
Recommended for coastal & industrial areas

INCLUDED WITH YOUR ORDER

- Concealed mounting hardware
- Individual drilling templates for vertical or horizontal installation
- Installation instructions



INSTALLATION INSTRUCTIONS



[Template Assembly Instructions](#)

[Installation Instructions](#)



[Installation Video](#)

HELPFUL LINKS

[Order QuickShip Online](#)

[Product Widths](#)

[Number + Letter Viewing Distances](#)

[Number + Letter Spacing Guide](#)



Plaques

MATERIALS

PRODUCTS

Solid 3/8" thick, recycled aluminum

CONCEALED HARDWARE

2" steel studs

1/2" aluminum spacers for floating mount

CONTRAST PLATE (If selected)

3/40" thick high density polyethylene

INCLUDED WITH YOUR ORDER

- Concealed mounting hardware
- A drilling template specific to your plaque shape and design
- Installation instructions
- Optional contrast plate



FONTS & TEXT ALIGNMENT

Palm Springs, SoCal, Austin

Center, right, & bottom alignment options available

SHAPES & SIZES

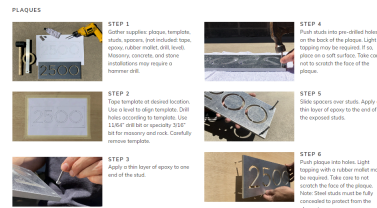
SQUARE 8"x8"

CIRCLE 5", 7", and 10" diameter

RECTANGLE 3"x8", 4"x11" and 5"x16"

Plaques ideal for close viewing distances

INSTALLATION INSTRUCTIONS



[Installation Instructions](#)

[Installation Video](#)

5 FINISHES

Brushed Aluminum

Sealed with a clear, satin, UV-resistant topcoat

Matte Black, Matte Brass, Dark Bronze, White

Low-VOC Powder Coat Finishes

Powder coat finish recommended for coastal & industrial areas

HELPFUL RESOURCES

[Order Plaques Online](#)

[Plaque Design Options](#)

[Plaque Viewing Distance](#)

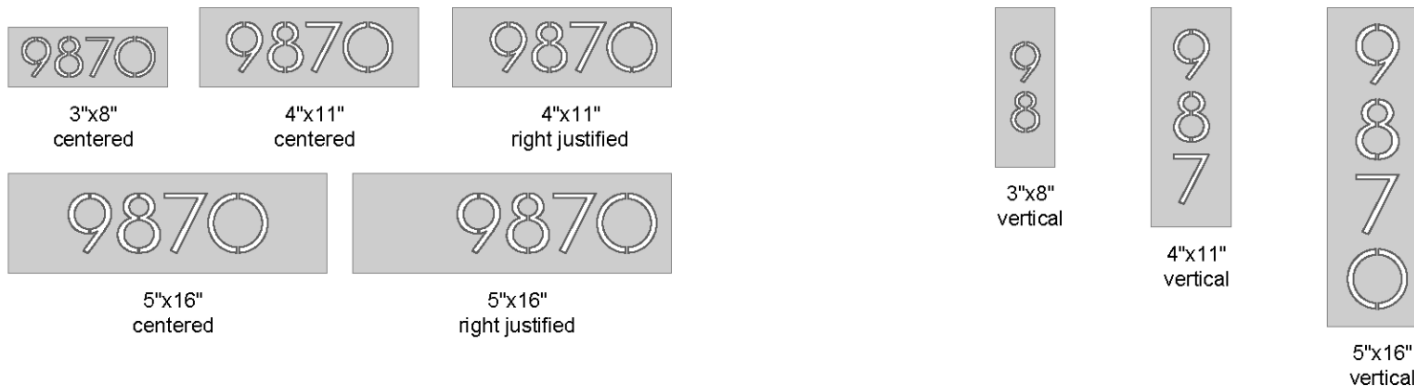
Stencil cut numbers & letters with internal islands have 1/8 inch solid bridges that hold the island in place



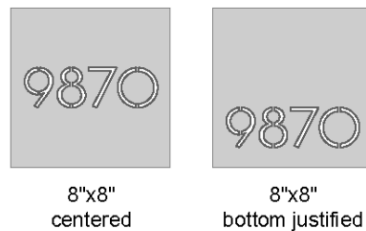
Plaque Design Options

Characters are stencil cut from a solid aluminum plate, leaving a void. Stencil cut numbers & letters have internal islands with 1/8 inch solid bridges. Refer to the [Plaque Visibility](#) guide for character height and recommended viewing distances. Custom shapes, sizes, orientation, text justification, and additional font styles available upon request. Plaques are best for viewing at close range.

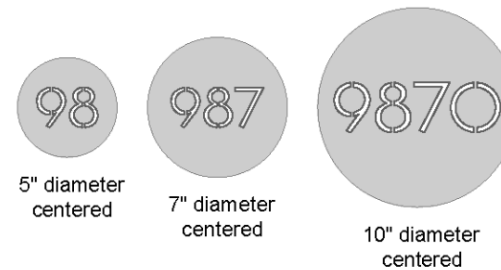
Rectangular



Square



Round

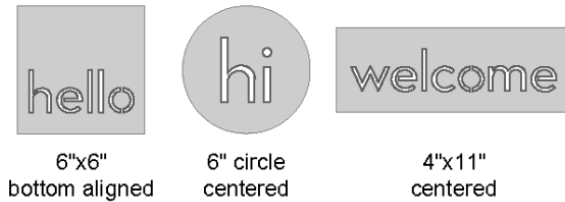


*Concealed hardware, drilling template and installation instructions included.
Not to scale. For reference only.*

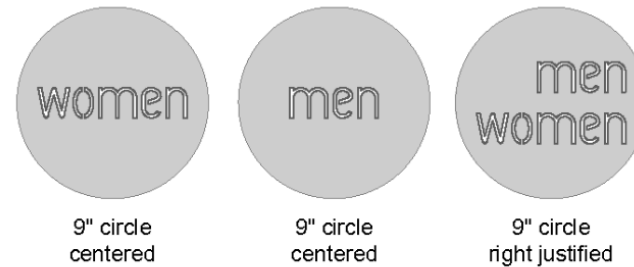
Welcome and Restroom Sign Design Options

Plaque characters and figures are stencil cut from a solid aluminum plate, leaving a void. Stencil cut letters have internal islands with 1/8 inch solid bridges. Plaques are best for viewing at close range. Individual figures are precision cut from 3/8 inch solid recycled aluminum and come in two pieces.

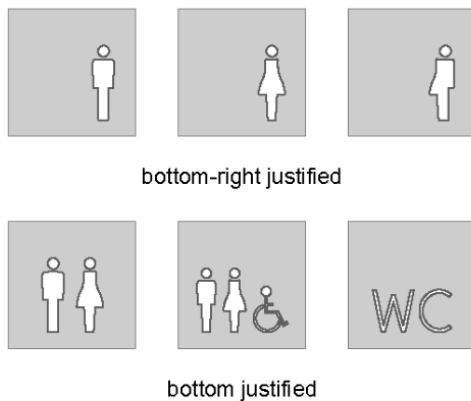
Welcome Plaques



Restroom Plaques



6"x6" Square Restroom Plaques



4" Individual Restroom Figures



*Concealed hardware, drilling template and installation instructions included.
 Not to scale. For reference only*

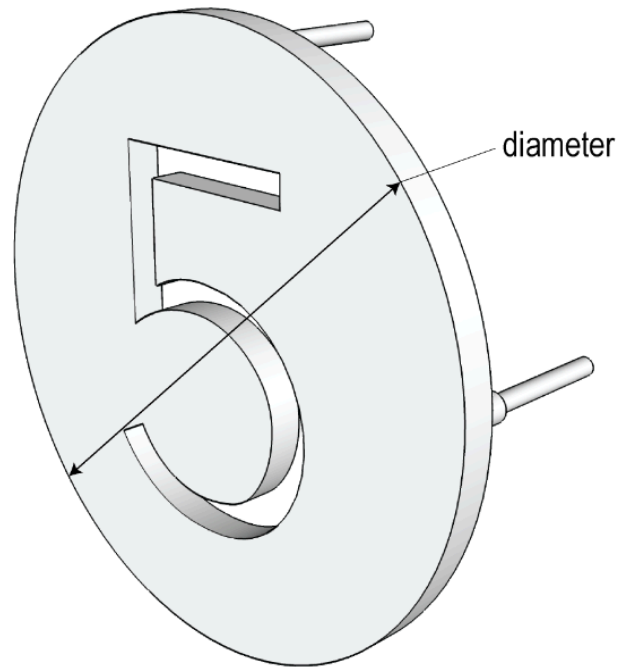
Plaque Viewing Distances

Plaques are best viewed at close range. Character height varies on the number of characters per plaque. Visibility varies by font, character count, installation location and surface. Dark powder coated finishes have reduced legibility. To increase visibility, install near a light source.

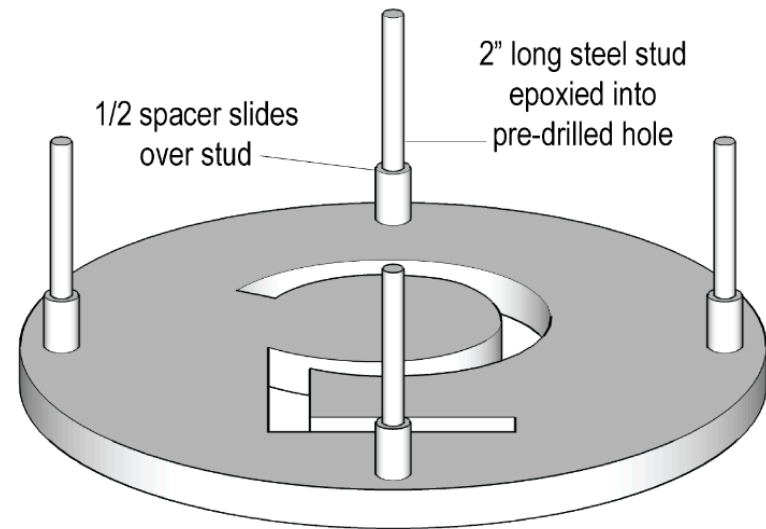
	size	avg. text size <small>*varies by character count</small>	viewing distance	
			plaque only	with contrast plate
petite plaques	5" / 6" round	2" - 3"	15'- 20'	30'- 50'
	3" x 8" rectangle	2"	15'- 20'	30'- 50'
small plaques	7" round	2" - 3"	15'- 25'	40'- 60'
	6" x 6" square	2" - 3"	15'- 25'	40'- 60'
	4" x 11" rectangle	2" - 3"	15'- 25'	40'- 60'
medium plaques	8" x 8" square	2" - 4"	15'- 30'	50'- 75'
	9" / 10" round	2" - 4"	15'- 30'	50'- 75'
	5" x 16" rectangle	3" - 4"	20'- 30'	50'- 75'

Not to scale. For reference only.

Typical Plaque Illustration



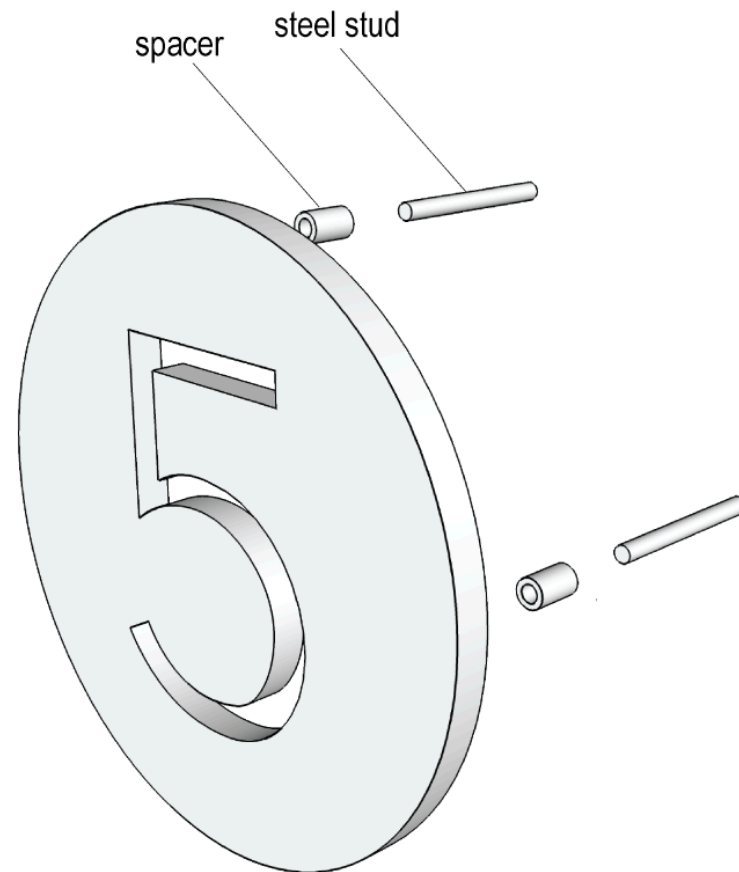
View: Typical Circle Plaque



Back View with Hardware Inserted

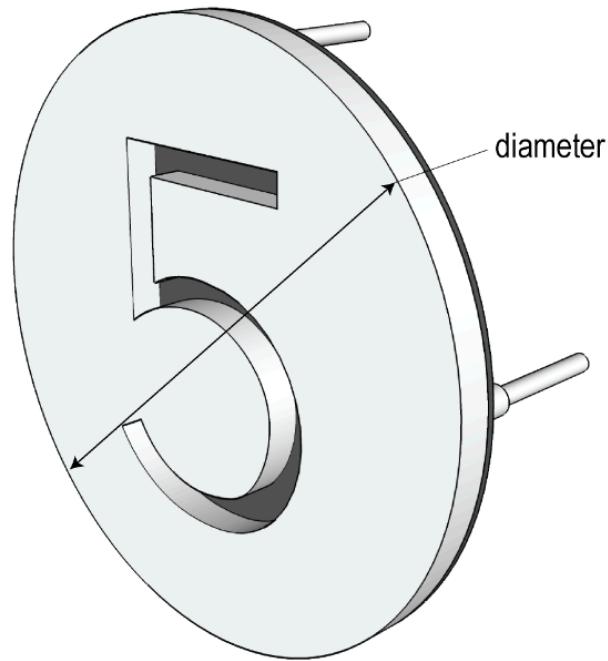
Not to Scale. For reference only.

Exploded Diagram of Circle Plaque

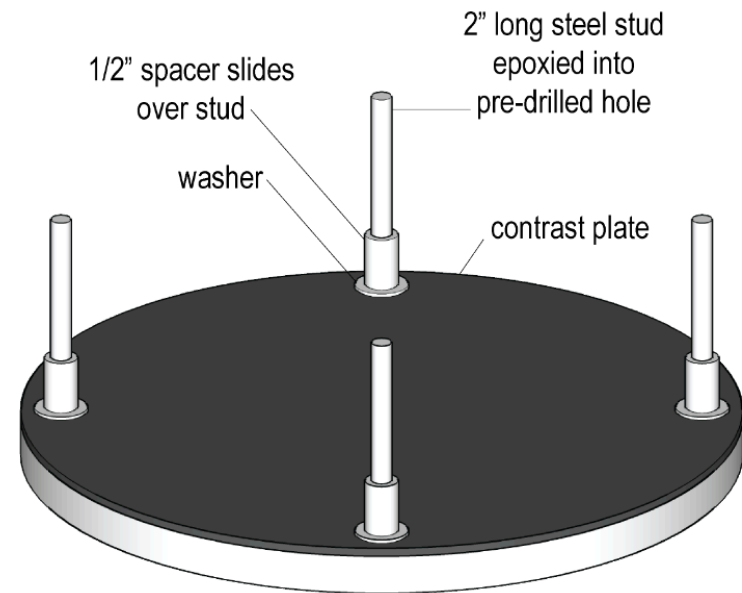


Not to Scale. For reference only.

Typical Plaque with Contrast Plate Illustration



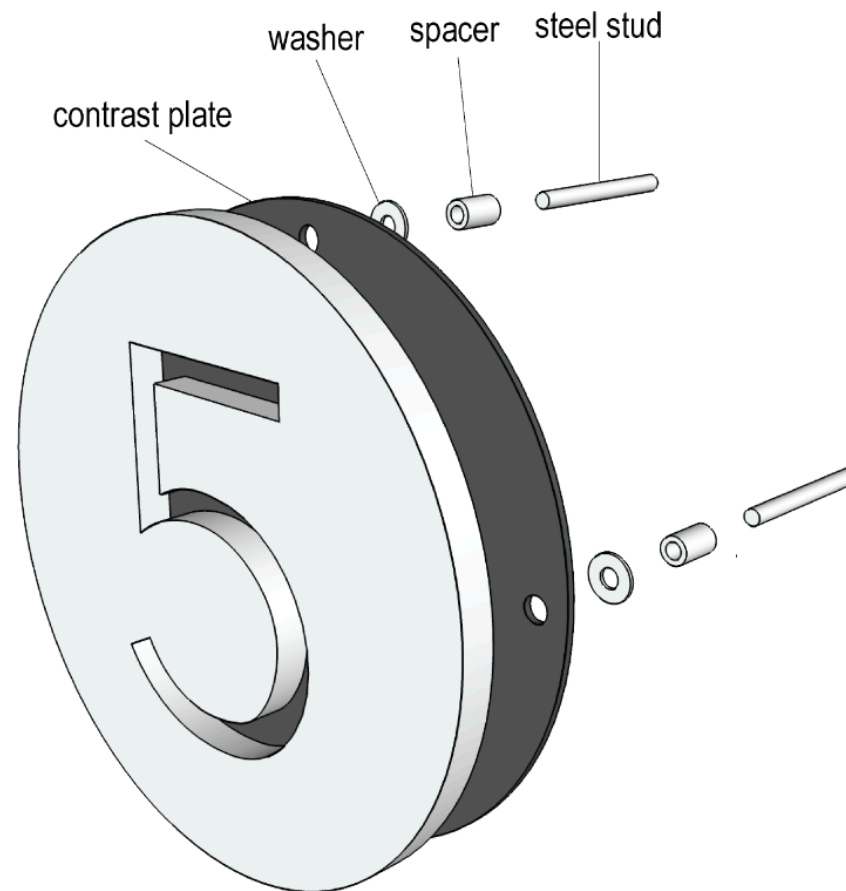
**View: Typical Circle Plaque
with Contrast Plate**



**Back View with Hardware and
Contrast Plate Inserted**

Not to Scale. For reference only.

Exploded Diagram of Circle Plaque with Contrast Plate



Not to Scale. For reference only.

Decals

MATERIALS

PRODUCTS

High quality, exterior grade vinyl with a peel-and-stick adhesive backing

Intended for use on smooth, clean surfaces only.

7 FONTS

Palm Springs, SoCal, Austin, Santa Barbara, Backbay, SoHo, South Beach,

Custom fonts are available with additional setup fee

7 SIZES

1, 2, 3, 4, 6, 8 and 12 inch high

Additional sizes available, upon request for an additional setup fee

9 VINYL COLORS

Silver, black, blue, brass, bronze, copper, green, orange and white

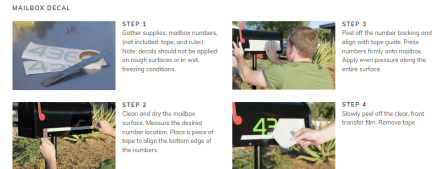
Additional colors available for large quantities, upon request, for an additional fee.

INCLUDED WITH YOUR ORDER

- Individual numbers and letters on a single peel-and-stick sheet
- Installation instructions



INSTALLATION INSTRUCTIONS

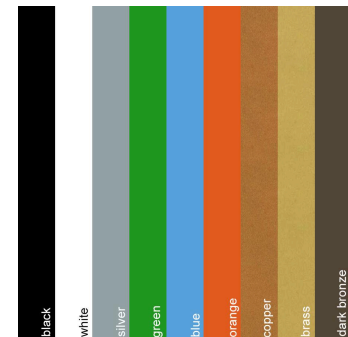


[Installation Instructions](#)

[Installation Video](#)

HELPFUL RESOURCES:

[Order Decals Online](#)
[Product Widths](#)



Curb Stencil Decal

MATERIALS

PRODUCT

High quality, exterior grade vinyl with a peel-and-stick adhesive backing. Intended for single use.

6 inch minimum curb height for best results.

7 FONTS

Palm Springs, SoCal, Austin, Santa Barbara, Backbay, SoHo, South Beach

Custom fonts are available with additional setup fee

SIZE

4" high text cut away from a single sheet of exterior grade vinyl with an adhesive backing. Length varies by character count.

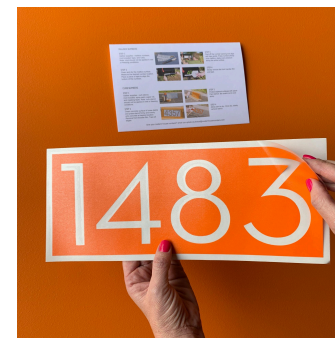
SUGGESTED PAINT COLORS

Rust-Oleum™ spray paint colors that coordinate best with our [vinyl decal](#) colors:

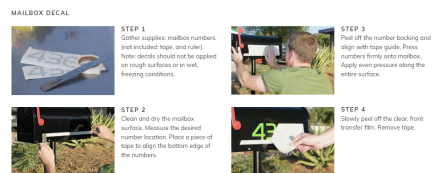
- Silver: Gloss Metallic
- Black: Gloss Black
- Blue: Gloss Spa Blue
- Brass: Gloss Antique Brass
- Bronze: Gloss Espresso
- Copper: Gloss Gold Rush
- Green: Gloss Fluorescent Green
- Orange: Gloss Orange
- White: Gloss White

INCLUDED WITH YOUR ORDER

- Characters cut from single use
- Assembly includes removable front film and backing for ease of installation
- Installation instructions



INSTALLATION INSTRUCTIONS



[Installation Instructions](#)

HELPFUL RESOURCES:

[Order Curb Stencil Online](#)
[Product Widths](#)



3 | Font Styles

[Palm Springs](#)

[SoCal](#)

[Austin](#)

[Santa Barbara](#)

[Backbay](#)

[SoHo](#)

[South Beach](#)

Palm Springs

0123456789

ABCDEFGHIJKLMNOPQRSTUVWXYZ

abcdefghijklmnopqrstuvwxyz

0123456789 example of plaque stenciling

SoCal

0 1 2 3 4 5 6 7 8 9

A B C D E F G H I J K L M N O P Q R S T U V W X Y Z

no lowercase alphabet in this typeface

0 1 2 3 4 5 6 7 8 9

example of plaque stenciling

Austin

0 1 2 3 4 5 6 7 8 9

A B C D E F G H I J K L M N O P Q R S T U V W X Y Z

a b c d e f g h i j k l m n o p q r s t u v w x y z

0 1 2 3 4 5 6 7 8 9

example of plaque stenciling

Santa Barbara

0 1 2 3 4 5 6 7 8 9

ABCDEFGHIJKLMNOPQRSTUVWXYZ

abcdefghijklmnopqrstuvwxyz

Backbay

0 1 2 3 4 5 6 7 8 9

A B C D E F G H I J K L M N O P Q R S T U V W X Y Z

a b c d e f g h i j k l m n o p q r s t u v w x y z

SoHo

0 1 2 3 4 5 6 7 8 9

A B C D E F G H I J K L M N O P Q R S T U V W X Y Z

a b c d e f g h i j k l m n o p q r s t u v w x y z

South Beach

0 1 2 3 4 5 6 7 8 9

A B C D E F G H I J K L M N O P Q R S T U V W X Y Z

a b c d e f g h i j k l m n o p q r s t u v w x y z

4 | Product Widths By Font

Palm Springs Numbers and Symbols Widths Measured in Inches

Width: Decals Only			Width: Numbers & Decals						Quantity of pre-drilled stud holes					
	1"	2"	3"	4"	6"	8"	12"	15"		4"	6"	8"	12"	15"
0	1.00	2	3	4	6	8	12	15	0	2	2	2	4	4
½	.61	1.22	1.83	2.24	3.66	4.88	7.32	9.15	½	2	2	3	3	3
1	0.25	0.5	0.88	1.13	1.66	2.25	3.50	4.13	1	2	2	2	3	3
2	0.75	1.375	2.13	2.88	4.27	5.75	8.50	10.63	2	2	2	2	4	4
3	0.75	1.5	2.25	2.88	4.40	5.88	8.63	10.75	3	2	2	2	4	4
4	0.75	1.625	2.38	3.13	4.68	6.25	9.38	11.75	4	2	2	2	4	4
5	0.75	1.375	2.13	2.63	4.20	5.63	8.38	10.50	5	2	2	2	4	4
6	0.75	1.5	2.13	2.88	4.32	5.75	8.63	10.75	6	2	2	2	4	4
7	0.75	1.375	2.13	2.88	4.27	5.75	8.50	10.63	7	2	2	2	4	4
8	0.75	1.375	2.13	2.88	4.26	5.63	8.50	10.63	8	2	2	2	4	4
9	0.75	1.5	2.13	2.88	4.32	5.75	8.63	10.75	9	2	2	2	4	4
↑	.83	1.7	2.48	3.3	4.95	6.6	9.9	12.38	↑	2	2	2	2	3
▶	.28	.55	.83	1.1	1.66	2.21	3.31	4.14	▶	1	1	2	2	2
№	1.4	2.8	4.2	5.59	8.39	11.18	16.8	21	№	3	3	4	6	6
№º	1.56	3.12	4.68	6.24	9.36	12.48	18.73	23.41	№º	6	6	8	9	9
	DECALS ONLY	DECALS ONLY	DECALS ONLY	QUICKSHIP ELIGIBLE	QUICKSHIP ELIGIBLE	QUICKSHIP ELIGIBLE				QUICKSHIP ELIGIBLE	QUICKSHIP ELIGIBLE	QUICKSHIP ELIGIBLE		

Eligible products leave our warehouse the next business day. Must be ordered from our [QuickShip Tab](#).

Palm Springs Uppercase Letters

Widths Measured in Inches

	Width: Decals Only			Width: Letters & Decals					Quantity of pre-drilled stud holes				
	1"	2"	3"	4"	6"	8"	12"	15"	4"	6"	8"	12"	15"
A	0.88	1.88	2.75	3.63	5.50	7.38	11.00	13.75	2	2	3	4	4
B	0.75	1.50	2.25	3.00	4.38	5.88	8.88	11.13	2	2	3	4	4
C	1.00	2.00	3.00	4.00	6.00	8.00	12.00	15.00	2	2	3	4	4
D	0.88	1.63	2.50	3.38	5.00	6.75	10.13	12.63	2	2	3	4	4
E	0.63	1.25	2.00	2.63	3.88	5.25	7.88	9.75	2	2	3	5	5
F	0.63	1.25	1.88	2.63	3.88	5.13	7.75	9.63	2	2	3	4	4
G	1.00	2.00	3.00	4.00	6.00	7.88	11.88	14.88	2	2	3	4	4
H	0.75	1.63	2.38	3.25	4.75	6.38	9.63	12.00	2	2	4	5	5
I	0.13	0.25	0.38	0.38	0.63	0.88	1.25	1.63	2	2	2	3	3
J	0.75	1.50	2.25	2.88	4.38	5.88	8.75	11.00	2	2	2	3	3
K	0.75	1.38	2.13	2.75	4.13	5.50	8.38	10.38	2	2	4	5	5
L	0.63	1.25	1.88	2.38	3.63	4.88	7.25	9.13	2	2	3	3	3
M	1.00	2.00	3.13	4.13	6.13	8.25	12.38	15.50	2	2	4	5	5
N	0.88	1.63	2.50	3.38	5.00	6.63	10.00	12.50	2	2	4	4	4
O	1.00	2.00	3.00	4.00	6.00	8.00	12.00	15.00	2	2	2	4	4
P	0.63	1.38	2.00	2.75	4.13	5.38	8.25	10.13	2	2	3	4	4
Q	1.00	2.00	3.13	4.13	6.13	8.25	12.25	15.38	2	2	3	4	4
R	0.63	1.38	2.00	2.75	4.13	5.38	8.25	10.25	2	2	3	4	4
S	0.75	1.38	2.13	2.88	4.25	5.63	8.50	10.63	2	2	2	3	3
T	0.75	1.50	2.38	3.13	4.63	6.25	9.25	11.63	2	2	2	3	3
U	0.75	1.50	2.25	3.00	4.50	6.13	9.13	11.38	2	2	3	4	4
V	0.88	1.88	2.75	3.63	5.50	7.38	11.00	13.75	2	2	3	3	3
W	1.38	2.75	4.25	5.63	8.38	11.25	16.75	21.00	2	2	4	5	5
X	0.88	1.75	2.75	3.63	5.38	7.25	10.75	13.50	2	2	4	4	4
Y	0.75	1.50	2.25	3.00	4.50	6.00	9.00	11.25	2	2	2	3	3
Z	0.75	1.63	2.38	3.25	4.88	6.38	9.63	12.00	2	2	3	4	4

DECALS ONLY

DECALS ONLY

DECALS ONLY

'A-E' QUICKSHIP ELIGIBLE

'A-E' QUICKSHIP ELIGIBLE

'A-E' QUICKSHIP ELIGIBLE

'A-E' QUICKSHIP ELIGIBLE

'A-E' QUICKSHIP ELIGIBLE

'A-E' QUICKSHIP ELIGIBLE

Palm Springs Lowercase Letters Widths Measured in Inches

	Width: Decals Only			Width: Letters & Decals					Quantity of pre-drilled stud holes				
	1"	2"	3"	4"	6"	8"	12"	15"	4"	6"	8"	12"	15"
a	0.50	1.00	1.50	2.00	3.00	4.13	6.13	7.63	2	2	2	3	3
b	0.63	1.25	1.75	2.38	3.63	4.75	7.25	9.00	2	2	3	3	3
c	0.50	1.13	1.63	2.13	3.25	4.25	6.50	8.13	2	2	2	3	3
d	0.63	1.25	1.75	2.38	3.63	4.75	7.25	9.00	2	2	3	3	3
e	0.63	1.25	1.75	2.38	3.63	4.75	7.13	9.00	2	2	2	3	3
f	0.38	0.75	1.25	1.63	2.38	3.13	4.75	6.00	2	2	2	3	3
g	0.63	1.25	1.88	2.38	3.63	4.88	7.25	9.13	2	2	2	4	4
h	0.50	1.00	1.63	2.13	3.13	4.25	6.25	7.88	2	2	3	4	4
i	0.13	0.25	0.38	0.50	0.75	1.13	1.63	2.00	3	3	3	3	3
j	0.38	0.75	1.13	1.63	2.38	3.13	4.75	6.00	3	3	3	4	4
k	0.50	1.00	1.50	2.13	3.13	4.13	6.25	7.75	2	2	3	4	4
l	0.25	0.50	0.88	0.38	0.63	0.88	1.25	1.63	2	2	2	3	3
m	0.88	1.75	2.63	3.50	5.25	7.00	10.50	13.00	2	2	2	4	4
n	0.50	1.00	1.63	2.13	3.13	4.25	6.25	7.88	2	2	2	3	3
o	0.63	1.13	1.75	2.38	3.50	4.63	7.00	8.75	2	2	2	3	3
p	0.63	1.25	1.75	2.38	3.63	4.75	7.25	9.00	2	2	3	3	3
q	0.63	1.25	1.75	2.38	3.63	4.75	7.25	9.00	2	2	3	3	3
r	0.38	0.75	1.00	1.38	2.13	2.75	4.13	5.13	2	2	2	2	3
s	0.50	0.88	1.38	1.75	2.63	3.50	5.25	6.63	2	2	2	3	3
t	0.38	0.75	0.75	1.63	2.38	3.13	3.88	6.00	2	2	2	3	3
u	0.50	1.00	1.00	2.38	3.13	4.25	6.25	7.88	2	2	2	3	3
v	0.63	1.25	1.75	2.38	3.63	4.75	7.13	8.88	2	2	2	3	3
w	0.88	1.75	2.75	3.63	5.38	7.13	10.75	13.50	2	2	2	4	4
x	0.50	1.13	1.63	2.25	3.38	4.50	6.75	8.38	2	2	2	4	4
y	0.63	1.13	2.00	2.25	3.38	4.63	6.88	8.63	2	2	2	3	3
z	0.50	1.00	1.50	2.00	2.88	3.88	5.75	7.38	2	2	2	3	3

DECALS ONLY DECALS ONLY DECALS ONLY

SoCal Numbers Widths Measured in Inches

Width: Decals Only

Width: Numbers & Decals

Quantity of pre-drilled stud holes

	1"	2"	3"	4"	6"	8"	12"	15"
0	1	2	3	4	6	8	12	15
1	0.25	0.25	0.5	0.67	1	1.33	2	2.5
2	0.5	1	1.59	2.12	3.18	4.24	6.36	7.95
3	0.5	1	1.54	2.06	3.09	4.12	6.17	7.72
4	0.5	1	1.52	2.02	3.04	4.05	6.07	7.59
5	0.5	1	1.48	1.97	2.96	3.94	5.91	7.39
6	0.75	1.5	2.25	3	4.52	6	9.02	11.27
7	0.5	0.75	1.18	1.57	2.36	3.15	4.72	5.9
8	0.75	1.25	2.06	2.75	4.12	5.5	8.25	10.31
9	0.75	1.5	2.25	3	4.52	6	9.02	11.27

DECALS ONLY *DECALS ONLY* *DECALS ONLY*

	4"	6"	8"	12"	15"
0	2	2	2	4	4
1	2	2	2	3	3
2	2	2	2	3	4
3	2	2	2	3	3
4	2	2	2	3	3
5	2	2	2	3	3
6	2	2	2	4	4
7	2	2	2	3	3
8	2	2	2	3	4
9	2	2	2	4	4

SoCal Uppercase Letters Widths Measured in Inches

	Width: Decals Only			Width: Letters & Decals					Quantity of pre-drilled stud holes				
	1"	2"	3"	4"	6"	8"	12"	15"	4"	6"	8"	12"	15"
A	0.38	0.75	1.13	1.51	2.27	3	4.5	5.7	3	3	3	3	3
B	0.45	0.9	1.35	1.79	2.7	3.6	5.4	6.7	2	2	3	3	3
C	0.5	1	1.5	1.99	2.99	4	6	7.4	2	3	3	3	3
D	0.57	1.14	1.72	2.29	3.43	4.6	6.9	8.6	2	3	3	3	3
E	0.34	0.68	1.02	1.36	2.02	2.7	4	5.1	2	2	2	3	3
F	0.34	0.68	1.02	1.33	2	2.7	4	5.1	2	2	2	3	3
G	0.5	1	1.5	1.99	2.99	4	6	7.5	2	3	3	4	4
H	0.39	0.79	1.18	1.5	2.4	3.1	4.7	5.9	3	2	2	4	4
I	0.07	0.15	0.22	0.3	0.4	0.6	0.9	1.2	2	2	2	3	3
J	0.22	0.45	0.67	0.9	1.3	1.8	2.7	3.3	2	2	2	3	3
K	0.4	0.81	1.21	1.5	2.1	2.8	4.3	5.4	2	3	3	4	4
L	0.26	0.52	0.78	1	1.6	2	3.1	3.9	2	2	2	3	3
M	0.64	1.28	1.92	2.6	3.8	5	7.7	9.5	3	3	3	4	4
N	0.36	0.72	1.08	1.4	2.1	2.9	4.3	5.3	2	2	3	4	4
O	1	2	3	4	6	8	12	15	2	2	2	4	4
P	0.46	0.92	1.38	1.8	2.8	3.7	5.5	6.9	2	3	3	3	3
Q	1	2	3	4	6	8	12	15	2	2	2	4	4
R	0.46	0.92	1.38	1.8	2.8	3.7	5.5	6.9	2	3	3	4	4
S	0.33	0.67	1	1.2	1.9	2.4	4	5	2	2	2	3	3
T	0.31	0.61	0.92	1.2	1.8	2.5	3.7	4.6	2	2	2	3	3
U	0.34	0.68	1.03	1.4	2	2.7	4.1	5.1	3	3	2	3	3
V	0.46	0.93	1.39	1.8	2.7	3.8	5.5	7.1	3	3	3	3	3
W	0.72	1.45	2.17	2.9	4.3	5.8	8.7	10.8	3	3	3	5	5
X	0.46	0.91	1.37	1.8	2.7	3.6	5.4	6.7	2	2	3	4	4
Y	0.49	0.97	1.46	1.9	2.9	3.9	5.8	7.3	2	2	3	3	3
Z	0.33	0.69	1.03	1.3	2	2.5	4.1	5.2	2	2	2	3	3

DECALS ONLY

DECALS ONLY

DECALS ONLY

Austin Numbers Widths Measured in Inches

Width: Decals Only

Width: Numbers & Decals

Quantity of pre-drilled stud holes

	1"	2"	3"	4"	6"	8"	12"	15"
0	0.85	1.7	2.6	3.4	5.05	6.7	10.05	12.6
1	0.15	0.3	0.45	0.56	0.85	1.15	1.70	2.10
2	0.60	1.1	1.60	2.15	3.20	4.25	6.40	8.00
3	0.65	1.25	1.85	2.40	3.60	4.80	7.20	9.00
4	0.65	1.25	1.85	2.40	3.60	4.80	7.20	9.00
5	0.70	1.4	2.10	2.70	4.05	5.40	8.10	10.10
6	0.70	1.4	2.10	2.70	4.05	5.40	8.10	10.10
7	0.60	1.1	1.65	2.15	3.20	4.30	6.40	8.00
8	0.70	1.4	2.10	2.70	4.05	5.80	8.10	10.10
9	0.70	1.4	2.10	2.70	4.05	5.40	8.10	10.10

DECALS ONLY

DECALS ONLY

DECALS ONLY

	4"	6"	8"	12"	15"
0	2	2	2	4	4
1	2	2	2	3	3
2	2	2	2	4	4
3	2	2	2	4	4
4	2	2	2	4	4
5	2	2	2	4	4
6	2	2	2	4	4
7	2	2	2	4	4
8	2	2	2	4	4
9	2	2	2	4	4

Austin Uppercase Letters Widths Measured in Inches

Width: Decals Only

Width: Letters & Decals

Quantity of pre-drilled stud holes

	1"	2"	3"	4"	6"	8"	12"	15"
A	0.80	1.60	2.40	3.10	4.70	6.20	9.30	11.65
B	0.65	1.25	1.85	2.40	3.65	4.80	7.20	9.00
C	0.80	1.60	2.35	3.10	4.60	6.10	9.20	11.50
D	0.70	1.40	2.10	2.75	4.10	5.50	8.20	10.20
E	0.60	1.15	1.70	2.20	3.30	4.40	6.50	8.15
F	0.60	1.15	1.70	2.20	3.30	4.40	6.50	8.10
G	0.85	1.75	2.60	3.40	5.10	6.80	10.20	12.80
H	0.65	1.25	1.85	2.40	3.65	4.80	7.20	9.00
I	0.10	0.20	0.30	0.35	0.60	0.75	1.00	1.20
J	0.55	1.10	1.60	2.10	3.10	4.10	6.10	7.60
K	0.60	1.20	1.75	2.30	3.45	4.60	6.80	8.50
L	0.55	1.10	1.70	2.20	3.30	4.40	6.50	8.10
M	0.95	1.85	2.70	3.65	5.50	7.25	10.85	13.55
N	0.70	1.40	2.05	2.70	4.00	5.35	8.00	10.00
O	0.85	1.7	2.6	3.4	5.05	6.7	10.05	12.6
P	0.60	1.10	1.70	2.20	3.30	4.40	6.60	8.10
Q	0.85	1.70	2.60	3.40	5.10	7.00	10.10	12.75
R	0.70	1.35	2.00	2.65	4.00	5.20	7.85	9.80
S	0.60	1.25	1.75	2.30	3.40	4.60	6.80	8.55
T	0.70	1.40	2.10	2.70	4.10	5.40	8.10	10.10
U	0.65	1.30	1.90	2.50	3.80	5.10	7.50	9.40
V	0.70	1.40	2.10	2.80	4.20	5.50	8.30	10.30
W	1.00	2.00	3.00	3.90	5.85	7.80	11.60	14.50
X	0.75	1.50	2.20	2.90	4.40	5.80	8.70	10.85
Y	0.65	1.30	1.90	2.50	3.80	5.00	7.50	9.30
Z	0.60	1.20	1.70	2.30	3.30	4.40	6.50	8.15

DECALS ONLY

DECALS ONLY

DECALS ONLY

	4"	6"	8"	12"	15"
A	2	3	3	4	4
B	2	3	3	4	4
C	2	3	3	4	4
D	2	3	3	4	4
E	2	2	3	5	5
F	2	2	3	4	4
G	2	3	3	4	4
H	2	3	4	5	5
I	2	2	2	3	3
J	2	2	2	3	3
K	2	3	4	5	5
L	2	2	3	3	3
M	2	3	4	5	5
N	2	3	4	4	4
O	2	2	2	4	4
P	2	3	3	4	4
Q	2	2	3	4	4
R	2	3	3	4	4
S	2	2	2	3	3
T	2	2	2	3	3
U	2	3	3	4	4
V	2	3	3	3	3
W	2	3	4	5	5
X	2	3	4	5	5
Y	2	2	2	3	3
Z	2	2	3	4	4

Austin Lowercase Letters Widths Measured in Inches

	Width: Decals Only			Width: Letters & Decals					Quantity of pre-drilled stud holes				
	1"	2"	3"	4"	6"	8"	12"	15"	4"	6"	8"	12"	15"
a	0.50	0.95	*1.45	1.80	2.80	3.70	5.55	6.90	2	2	2	3	3
b	0.50	1.00	1.50	1.90	2.90	3.80	5.75	7.10	2	2	3	3	3
c	0.50	0.90	1.40	1.80	2.65	3.55	5.30	6.60	2	2	2	3	3
d	0.50	1.00	1.50	1.90	2.90	3.80	5.75	7.10	2	2	3	3	3
e	0.50	0.95	1.40	1.80	2.75	3.65	5.50	6.75	2	2	2	3	3
f	0.30	0.55	0.80	1.00	1.55	2.10	3.10	3.80	2	2	2	3	3
g	0.50	1.00	1.50	1.90	2.90	3.85	5.75	7.10	2	2	2	4	4
h	0.50	1.00	1.50	2.00	3.00	3.95	5.90	7.35	2	2	3	4	4
i	0.20	0.40	0.65	0.40	0.55	0.70	1.00	3.00	3	3	3	3	3
j	0.30	0.45	0.80	1.00	1.55	2.10	3.10	3.80	3	3	3	4	4
k	0.50	0.90	1.35	1.80	2.65	3.55	5.20	6.50	2	2	3	4	4
l	0.30	0.55	0.80	1.00	1.55	2.10	3.00	3.80	2	2	2	3	3
m	0.95	1.80	2.70	3.60	5.40	7.15	10.75	13.40	2	2	2	4	4
n	0.55	1.00	1.50	2.00	3.00	3.95	5.90	7.30	2	2	2	3	3
o	0.55	1.00	1.50	1.95	2.90	3.85	5.70	7.10	2	2	2	3	3
p	0.50	1.00	1.50	1.90	1.90	3.80	5.75	7.10	2	2	3	3	3
q	0.50	1.00	1.50	1.90	1.90	3.80	5.75	7.10	2	2	3	3	3
r	0.40	0.70	1.00	1.30	2.00	2.65	3.85	4.80	2	2	2	3	3
s	0.55	1.00	1.50	2.00	2.95	3.90	5.80	7.20	2	2	2	3	3
t	0.30	0.55	0.80	1.10	1.55	2.10	3.80	3.80	2	2	2	3	3
u	0.55	1.00	1.50	2.00	3.00	3.95	5.90	7.30	2	2	2	3	3
v	0.55	1.10	1.55	2.10	3.10	4.10	6.10	7.60	2	2	2	3	3
w	0.80	1.55	2.35	3.00	4.55	6.10	9.00	11.25	2	2	2	4	4
x	0.55	1.10	1.60	2.10	3.20	4.20	6.20	7.85	2	2	2	4	4
y	0.55	1.10	1.60	2.10	3.10	4.10	6.10	7.60	2	2	2	3	3
z	0.40	0.80	1.20	1.60	2.30	3.10	4.60	5.70	2	2	2	3	3

DECALS ONLY

DECALS ONLY

DECALS ONLY

Santa Barbara Numbers Widths Measured in Inches

	Width: Decals Only			Width: Numbers & Decals					Quantity of pre-drilled stud holes				
	1"	2"	3"	4"	6"	8"	12"	15"	4"	6"	8"	12"	15"
0	1	2	2.84	3.79	5.67	7.6	11.4	14.25	2	2	2	4	4
1	0.25	0.75	1.02	1.37	2.05	2.73	4.1	5.12	2	2	2	3	3
2	0.75	1.75	2.5	3.34	5	6.67	10.01	12.51	3	3	3	4	4
3	1	1.75	2.65	3.7	5.31	7.08	10.61	13.27	3	3	3	4	4
4	1	2	2.82	3.76	5.65	7.54	11.31	14.14	2	2	2	4	4
5	1	1.75	2.7	3.6	5.41	6.74	10.82	13.52	3	3	3	4	4
6	1	1.75	2.69	3.58	5.37	7.16	10.74	13.42	2	2	3	4	4
7	1	1.75	2.67	3.56	5.36	7.15	10.73	13.36	2	3	3	4	4
8	1	1.75	2.69	3.58	5.36	7.2	10.72	13.40	3	3	3	4	4
9	1	1.75	2.69	3.58	5.36	7.15	10.73	13.41	2	2	3	4	4

DECALS ONLY *DECALS ONLY* *DECALS ONLY*

Santa Barbara Uppercase Letters

Widths Measured in Inches

	Width: Decals Only			Width: Letters & Decals					Quantity of pre-drilled stud holes				
	1"	2"	3"	4"	6"	8"	12"	15"	4"	6"	8"	12"	15"
A	1.19	2.37	3.56	4.75	7.12	9.49	14.24	17.80	3	3	3	3	4
B	1.08	2.16	3.25	4.33	6.49	8.66	12.99	16.24	2	2	3	4	4
C	1.00	2.00	3.00	4.00	6.00	8.00	11.99	14.99	2	2	3	4	4
D	1.11	2.22	3.33	4.44	6.66	8.88	13.31	16.64	2	2	3	4	4
E	1.02	2.04	3.06	4.09	6.13	8.17	12.26	15.32	2	2	4	4	5
F	0.96	1.92	2.88	3.84	5.76	7.68	11.52	14.40	2	2	3	4	4
G	1.09	2.18	3.27	4.35	6.53	8.71	13.06	16.33	2	2	3	4	4
H	1.10	2.20	3.30	4.40	6.59	8.79	13.19	16.49	2	2	4	4	4
I	0.30	0.60	0.89	1.19	1.79	2.38	3.57	4.46	2	2	2	3	3
J	0.59	1.18	1.77	2.36	3.54	4.72	7.08	8.85	2	2	2	3	3
K	1.04	2.08	3.13	4.17	6.25	8.34	12.51	15.63	2	2	4	4	4
L	0.95	1.90	2.84	3.79	5.69	7.58	11.38	14.22	2	2	3	3	3
M	1.28	2.56	3.84	5.11	7.67	10.23	15.34	19.18	3	3	4	5	5
N	1.14	2.28	3.42	4.55	6.83	9.11	13.66	17.08	2	2	4	4	4
O	1.10	2.21	3.31	4.42	6.63	8.84	13.26	16.57	2	2	2	4	4
P	1.00	2.00	3.00	4.00	5.99	7.99	11.99	14.98	2	2	3	3	4
Q	1.04	2.07	3.11	4.14	6.21	8.28	12.42	15.53	2	3	3	5	5
R	1.10	2.21	3.31	4.41	6.62	8.83	13.24	16.55	2	2	3	4	4
S	0.93	1.86	2.80	3.73	5.59	7.46	11.18	13.98	2	2	3	4	4
T	1.06	2.12	3.18	4.23	6.35	8.47	12.70	15.88	2	2	3	3	3
U	1.07	2.14	3.21	4.27	6.41	8.55	12.82	16.03	2	2	3	3	3
V	1.18	2.36	3.54	4.72	7.08	9.43	14.15	17.69	3	3	3	3	3
W	1.54	3.08	4.62	6.16	9.24	12.32	18.48	23.10	3	3	4	5	5
X	1.05	2.10	3.15	4.20	6.30	8.40	12.60	15.75	2	2	4	4	4
Y	1.09	2.19	3.28	4.38	6.57	8.76	13.14	16.42	3	3	3	3	3
Z	0.93	1.86	2.79	3.72	5.58	7.44	11.16	13.94	2	2	3	3	4

DECALS ONLY DECALS ONLY DECALS ONLY

Santa Barbara Lowercase Letters Widths Measured in Inches

	Width: Decal Letters Only			Width: Letters & Decals					Quantity of pre-drilled stud holes				
	1"	2"	3"	4"	6"	8"	12"	15"	4"	6"	8"	12"	15"
a	0.72	1.45	2.17	2.90	4.35	5.79	8.69	10.86	2	2	3	3	3
b	0.85	1.70	2.55	3.40	5.11	6.81	10.21	12.76	2	2	3	3	4
c	0.73	1.45	2.18	2.90	4.36	5.81	8.71	10.89	2	2	2	2	3
d	0.85	1.70	2.55	3.40	5.11	6.81	10.21	12.76	2	2	3	3	4
e	0.76	1.52	2.28	3.04	4.56	6.08	9.13	11.41	2	2	2	2	3
f	0.42	0.85	1.27	1.69	2.54	3.38	5.07	6.34	2	2	2	3	3
g	0.88	1.76	2.64	3.52	5.28	7.04	10.57	13.21	2	3	3	4	4
h	0.81	1.62	2.44	3.25	4.87	6.49	9.74	12.18	2	2	3	3	4
i	0.26	0.51	0.77	1.02	1.54	2.05	3.07	3.84	3	3	3	3	3
j	0.35	0.70	1.05	1.40	2.10	2.81	4.21	5.26	3	3	3	3	4
k	0.79	1.59	2.38	3.17	4.76	6.34	9.51	11.89	2	2	3	3	4
l	0.27	0.55	0.82	1.09	1.64	2.19	3.28	4.10	2	2	2	3	3
m	1.27	2.54	3.81	5.08	7.62	10.17	15.25	19.06	2	2	3	4	4
n	0.82	1.65	2.47	3.30	4.95	6.60	9.90	12.37	2	2	2	3	4
o	0.78	1.55	2.33	3.10	4.65	6.20	9.30	11.63	2	2	2	2	4
p	0.86	1.72	2.58	3.43	5.15	6.87	10.30	12.88	2	2	3	3	4
q	0.86	1.72	2.58	3.43	5.15	6.87	10.30	12.88	2	2	3	3	4
r	0.44	0.89	1.33	1.78	2.66	3.55	5.33	6.66	2	2	2	2	3
s	0.67	1.34	2.01	2.68	4.02	5.36	8.04	10.06	2	2	2	3	4
t	0.40	0.79	1.19	1.58	2.38	3.17	4.75	5.94	2	2	2	3	3
u	0.82	1.65	2.47	3.30	4.95	6.60	9.90	12.37	2	2	2	3	4
v	0.82	1.65	2.47	3.29	4.94	6.58	9.88	12.35	2	2	2	3	3
w	1.25	2.49	3.74	4.99	7.48	9.97	14.96	18.70	2	2	3	4	5
x	0.77	1.54	2.30	3.07	4.61	6.14	9.21	11.51	2	2	2	4	4
y	0.82	1.65	2.47	3.29	4.94	6.58	9.87	12.34	2	2	2	3	3
z	0.71	1.42	2.13	2.84	4.26	5.68	8.51	10.64	2	2	2	3	4

DECALS ONLY

DECALS ONLY

DECALS ONLY

Backbay Numbers

Widths Measured in Inches

Width: Decal Numbers Only

Width: Numbers & Decals

Quantity of pre-drilled stud holes

	1"	2"	3"	4"	6"	8"	12"	15"
0	0.5	0.75	1.16	1.55	2.32	3.09	4.64	5.8
1	0.25	0.5	0.71	0.94	1.41	1.88	2.82	3.52
2	0.5	0.75	1.17	1.56	2.34	3.12	4.67	5.84
3	0.5	0.75	1.17	1.56	2.34	3.12	4.67	5.84
4	0.5	1	1.32	1.76	2.65	3.53	5.29	6.62
5	0.5	0.75	1.16	1.55	2.32	3.09	4.64	5.8
6	0.5	0.75	1.16	1.55	2.32	3.09	4.64	5.8
7	0.5	0.75	1.21	1.62	2.44	3.25	4.87	6.09
8	0.5	0.75	1.16	1.55	2.32	3.09	4.64	5.8
9	0.5	0.75	1.16	1.55	2.32	3.09	4.64	5.8

DECALS
ONLY

DECALS
ONLY

DECALS
ONLY

	4"	6"	8"	12"	15"
0	2	2	2	4	4
1	2	2	2	3	3
2	2	2	2	3	3
3	2	2	2	3	3
4	2	2	2	3	3
5	2	2	2	3	3
6	2	2	2	3	3
7	2	2	2	3	3
8	2	2	2	3	3
9	2	2	2	3	3

Backbay Uppercase Letters Widths Measured in Inches

	Width: Decal Letters Only			Width: Letters & Decals					Quantity of pre-drilled stud holes				
	1"	2"	3"	4"	6"	8"	12"	15"	4"	6"	8"	12"	15"
A	0.38	0.75	1.13	1.50	2.25	3.00	4.50	5.63	3	3	3	4	4
B	0.39	0.77	1.16	1.54	2.31	3.08	4.63	5.78	2	2	2	4	4
C	0.37	0.74	1.10	1.47	2.21	2.95	4.42	5.52	2	2	2	3	3
D	0.38	0.77	1.15	1.54	2.30	3.07	4.61	5.76	3	3	3	4	4
E	0.31	0.62	0.93	1.25	1.87	2.49	3.74	4.67	2	2	2	3	3
F	0.31	0.62	0.93	1.25	1.87	2.49	3.74	4.67	2	2	2	3	3
G	0.37	0.74	1.11	1.47	2.21	2.95	4.42	5.53	3	3	3	4	4
H	0.38	0.75	1.13	1.50	2.25	3.00	4.50	5.63	4	4	4	4	5
I	0.12	0.25	0.37	0.49	0.74	0.99	1.48	1.85	2	2	2	3	3
J	0.21	0.42	0.63	0.84	1.27	1.69	2.53	3.16	2	2	2	3	3
K	0.38	0.76	1.13	1.51	2.27	3.03	4.54	5.67	3	3	3	4	5
L	0.31	0.62	0.93	1.25	1.87	2.49	3.74	4.67	2	2	2	3	3
M	0.61	1.23	1.84	2.45	3.68	4.90	7.35	9.19	4	4	4	5	5
N	0.38	0.75	1.13	1.50	2.25	3.00	4.50	5.63	3	3	3	4	4
O	0.39	0.77	1.16	1.55	2.32	3.09	4.64	5.8	2	2	2	4	4
P	0.37	0.75	1.12	1.49	2.24	2.98	4.48	5.59	2	2	3	4	4
Q	0.39	0.77	1.16	1.55	2.32	3.09	4.64	5.80	2	2	2	4	4
R	0.38	0.77	1.15	1.54	2.30	3.07	4.61	5.76	3	3	3	4	4
S	0.37	0.75	1.12	1.50	2.24	2.99	4.49	5.61	2	2	2	3	3
T	0.41	0.81	1.22	1.63	2.44	3.26	4.89	6.11	2	2	2	3	3
U	0.38	0.75	1.13	1.51	2.26	3.01	4.52	5.65	2	3	3	3	3
V	0.40	0.81	1.21	1.62	2.42	3.23	4.85	6.06	3	3	3	3	3
W	0.63	1.26	1.89	2.52	3.78	5.04	7.56	9.45	3	3	4	5	5
X	0.39	0.78	1.17	1.56	2.34	3.12	4.68	5.85	4	4	4	4	5
Y	0.38	0.75	1.13	1.50	2.25	3.00	4.51	5.63	3	3	3	3	4
Z	0.36	0.71	1.06	1.42	2.13	2.84	4.27	5.33	2	2	3	3	3

DECALS ONLY DECALS ONLY DECALS ONLY

Backbay Lowercase Letters Widths Measured in Inches

	Width: Decal Letters Only			Width: Letters & Decals				
	1"	2"	3"	4"	6"	8"	12"	15"
a	0.35	0.70	1.10	1.41	2.11	2.82	4.23	5.28
b	0.35	0.70	1.10	1.41	2.11	2.82	4.22	5.28
c	0.34	0.69	1.03	1.37	2.10	2.74	4.11	5.14
d	0.35	0.70	1.06	1.41	2.11	2.82	4.22	5.28
e	0.35	0.69	1.04	1.39	2.08	2.78	4.16	5.20
f	0.20	0.39	0.59	0.79	1.18	1.58	2.37	2.96
g	0.35	0.70	1.06	1.41	2.11	2.82	4.22	5.28
h	0.35	0.70	1.05	1.40	2.10	2.81	4.21	5.26
i	0.13	0.25	0.39	0.50	0.76	1.01	1.51	1.89
j	0.15	0.30	0.45	0.60	0.90	1.21	1.81	2.26
k	0.35	0.70	1.05	1.40	2.10	2.81	4.21	5.26
l	0.20	0.39	0.58	0.78	1.17	1.56	2.34	2.92
m	0.56	1.13	1.69	2.25	3.38	4.51	6.76	8.45
n	0.35	0.69	1.04	1.38	2.08	2.77	4.15	5.19
o	0.35	0.71	1.06	1.41	2.12	2.82	4.23	5.29
p	0.35	0.70	1.06	1.41	2.11	2.82	4.22	5.28
q	0.35	0.70	1.06	1.41	2.11	2.82	4.22	5.28
r	0.21	0.42	0.62	0.83	1.25	1.66	2.50	3.12
s	0.35	0.70	1.05	1.40	2.09	2.79	4.19	5.23
t	0.20	0.40	0.59	0.79	1.19	1.58	2.37	2.96
u	0.35	0.69	1.04	1.38	2.07	2.76	4.15	5.18
v	0.39	0.78	1.17	1.56	2.34	3.12	4.68	5.86
w	0.58	1.16	1.74	2.32	3.48	4.64	6.97	8.71
x	0.36	0.72	1.09	1.45	2.17	2.90	4.35	5.44
y	0.35	0.70	1.05	1.40	2.10	2.81	4.21	5.26
z	0.34	0.67	1.01	1.35	2.02	2.70	4.05	5.06

DECALS ONLY

DECALS ONLY

DECALS ONLY

	Quantity of pre-drilled stud holes				
	4"	6"	8"	12"	15"
a	2	2	2	3	3
b	3	3	3	3	3
c	2	2	2	3	3
d	3	3	3	3	3
e	2	2	2	3	3
f	2	2	2	3	3
g	2	2	2	4	4
h	3	3	3	4	4
i	3	3	3	3	3
j	3	3	3	4	4
k	3	3	3	4	4
l	2	2	2	3	3
m	3	3	3	4	4
n	3	3	3	3	3
o	2	2	2	4	4
p	3	3	3	3	3
q	3	3	3	3	3
r	2	2	2	2	3
s	2	2	2	3	3
t	2	2	2	3	3
u	3	3	3	3	3
v	3	3	3	3	3
w	3	3	3	5	5
x	2	2	2	4	4
y	3	3	3	3	3
z	2	2	2	3	3

SoHo Numbers Widths Measured in Inches

Width: Decal Numbers Only

Width: Numbers & Decals

Quantity of pre-drilled stud holes

	1"	2"	3"	4"	6"	8"	12"	15"
0	0.75	1.25	1.94	2.58	3.87	5.16	7.74	9.68
1	0.5	0.75	1.56	1.54	2.31	3.08	4.62	5.78
2	0.75	1.25	1.92	2.56	3.84	5.13	7.69	9.61
3	0.75	0.25	1.93	2.57	3.85	5.14	7.71	9.64
4	0.75	1.25	2.05	2.74	4.11	5.48	8.22	10.27
5	0.75	1.25	1.97	2.63	3.94	5.25	7.88	9.85
6	0.75	1.25	1.88	2.51	3.77	5.01	7.52	9.4
7	0.75	1.25	1.91	2.54	3.82	5.09	7.63	9.54
8	0.5	1.25	1.82	2.53	3.63	4.85	7.28	9.1
9	0.5	1.25	1.84	2.46	3.69	4.91	7.37	9.22

DECALS ONLY DECALS ONLY DECALS ONLY

	4"	6"	8"	12"	15"
0	2	2	2	4	4
1	2	2	2	3	3
2	2	2	2	3	5
3	2	2	2	4	4
4	2	2	2	3	3
5	2	2	2	4	3
6	2	2	2	4	4
7	2	2	2	3	3
8	2	2	2	3	4
9	2	2	2	4	4

SoHo Uppercase Letters Widths Measured in Inches

	Width: Decal Letters Only			Width: Letters & Decals					Quantity of pre-drilled stud holes				
	1"	2"	3"	4"	6"	8"	12"	15"	4"	6"	8"	12"	15"
A	0.93	1.86	2.79	3.71	5.57	7.43	11.14	13.93	2	2	2	4	4
B	0.79	1.57	2.36	3.15	4.72	6.30	9.45	11.81	2	2	3	4	4
C	0.90	1.79	2.69	3.59	5.38	7.17	10.76	13.45	2	2	2	4	4
D	0.82	1.64	2.47	3.29	4.93	6.57	9.86	12.33	2	2	3	4	4
E	0.66	1.33	1.99	2.65	3.98	5.30	7.96	9.95	2	2	3	4	5
F	0.66	1.31	1.97	2.63	3.94	5.25	7.88	9.85	2	2	3	4	4
G	0.91	1.83	2.74	3.65	5.48	7.31	10.96	13.70	2	2	3	4	4
H	0.79	1.59	2.38	3.17	4.76	6.34	9.51	11.89	2	2	3	4	4
I	0.13	0.27	0.40	0.53	0.80	1.06	1.60	1.99	2	2	2	3	3
J	0.59	1.17	1.76	2.35	3.52	4.70	7.05	8.81	2	2	2	3	3
K	0.83	1.66	2.48	3.31	4.97	6.62	9.93	12.42	2	2	3	4	4
L	0.66	1.32	1.99	2.65	3.97	5.30	7.95	9.94	2	2	2	3	3
M	0.99	1.99	2.99	3.99	5.98	7.98	11.96	14.96	2	2	4	4	5
N	0.80	1.59	2.39	3.19	4.78	6.38	9.56	11.95	2	2	4	4	4
O	0.96	1.92	2.87	3.83	5.75	7.67	11.5	14.37	2	2	2	4	4
P	0.75	1.49	2.24	2.98	4.47	5.96	8.95	11.18	2	2	3	3	3
Q	0.96	1.92	2.87	3.83	5.75	7.67	11.50	14.37	2	2	3	4	4
R	0.81	1.62	2.43	3.23	4.85	6.47	9.70	12.13	2	2	3	4	4
S	0.77	1.53	2.30	3.07	4.60	6.14	9.21	11.51	2	2	2	3	3
T	0.80	1.60	2.40	3.20	4.80	6.40	9.60	11.99	2	2	2	3	3
U	0.79	1.57	2.36	3.14	4.71	6.28	9.42	11.78	2	2	3	4	4
V	0.86	1.72	2.58	3.44	5.16	6.87	10.31	12.89	2	2	3	3	3
W	1.26	2.53	3.79	5.06	7.59	10.11	15.17	18.97	2	2	4	5	5
X	0.86	1.72	2.58	3.44	5.15	6.87	10.31	12.88	2	2	4	4	4
Y	0.90	1.80	2.71	3.61	5.41	7.22	10.82	13.53	2	2	3	3	3
Z	0.80	1.59	2.39	3.18	4.77	6.37	9.55	11.94	2	2	4	4	4

DECALS ONLY DECALS ONLY DECALS ONLY

SoHo Lowercase Letters Widths Measured in Inches

	Width: Decal Letters Only			Width: Letters & Decals					Quantity of pre-drilled stud holes				
	1"	2"	3"	4"	6"	8"	12"	15"	4"	6"	8"	12"	15"
a	0.66	1.31	1.97	2.62	3.93	5.24	7.86	9.83	2	2	2	3	3
b	0.69	1.38	2.06	2.75	4.13	5.51	8.26	10.32	2	2	3	3	4
c	0.63	1.26	1.89	2.52	3.78	5.05	7.57	9.46	2	2	2	3	3
d	0.69	1.38	2.06	2.75	4.13	5.51	8.26	10.32	2	2	3	3	4
e	0.64	1.28	1.92	2.56	3.84	5.12	7.68	9.61	2	2	2	3	3
f	0.40	0.80	1.20	1.60	2.40	3.20	4.80	5.99	2	2	2	3	3
g	0.66	1.32	1.99	2.65	3.97	5.30	7.95	9.94	2	2	3	4	4
h	0.60	1.20	1.80	2.39	3.59	4.79	7.18	8.98	2	2	3	3	4
i	0.11	0.23	0.34	0.45	0.68	0.90	1.32	1.69	3	3	3	3	3
j	0.24	0.47	0.71	0.94	1.41	1.88	2.82	3.53	3	3	3	4	4
k	0.63	1.26	1.89	2.52	3.78	5.04	7.56	9.45	2	2	3	3	4
l	0.11	0.23	0.34	0.46	0.69	0.92	1.38	1.72	2	2	2	3	3
m	0.93	1.86	2.79	3.72	5.58	7.44	11.16	13.96	2	2	2	3	4
n	0.57	1.14	1.72	2.29	3.43	4.57	6.86	8.58	2	2	2	3	4
o	0.67	1.34	2.00	2.67	4.01	5.34	8.01	10.01	2	2	2	2	4
p	0.69	1.38	2.06	2.75	4.13	5.51	8.26	10.32	2	2	3	3	4
q	0.69	1.38	2.06	2.75	4.13	5.51	8.26	10.32	2	2	3	3	4
r	0.38	0.76	1.14	1.52	2.29	3.05	4.57	5.71	2	2	2	2	3
s	0.61	1.23	1.84	2.46	3.68	4.91	7.37	9.21	2	2	2	2	3
t	0.39	0.77	1.16	1.55	2.32	3.09	4.64	5.80	2	2	2	3	3
u	0.57	1.14	1.72	2.29	3.43	4.57	6.86	8.58	2	2	2	3	4
v	0.63	1.27	1.90	2.53	3.80	5.06	7.59	9.49	2	2	2	3	3
w	0.97	1.94	2.91	3.87	5.81	7.75	11.62	14.53	2	2	2	4	4
x	0.67	1.32	2.01	2.68	4.01	5.35	8.03	10.03	2	2	2	4	4
y	0.65	1.29	1.94	2.59	3.88	5.18	7.76	9.70	2	2	2	3	3
z	0.58	1.17	1.75	2.33	3.50	4.67	7.00	8.75	2	2	2	3	3

DECALS ONLY DECALS ONLY DECALS ONLY

South Beach Numbers Widths Measured in Inches

Width: Decal Numbers Only

Width: Numbers & Decals

Quantity of pre-drilled stud holes

	1"	2"	3"	4"	6"	8"	12"	15"
0	1	1.75	2.75	3.66	5.49	7.32	10.99	13.73
1	0.25	0.25	0.5	0.67	1	1.33	2	2.5
2	0.75	1.75	2.46	3.28	4.91	6.55	9.83	12.29
3	0.75	1.5	2.3	3.08	4.61	6.15	9.23	11.54
4	1	1.75	2.79	3.72	5.58	7.44	11.17	13.96
5	0.75	1.75	2.51	3.35	5.02	6.69	10.04	12.54
6	0.75	1.75	2.55	3.4	5.11	6.81	10.22	12.77
7	0.75	1.75	2.54	3.38	5.08	6.77	10.15	12.69
8	1	1.75	2.74	3.64	5.48	7.3	10.95	13.69
9	0.75	1.75	2.59	3.45	5.17	6.9	10.35	12.93

DECALS
ONLY

DECALS
ONLY

DECALS
ONLY

	4"	6"	8"	12"	15"
0	2	2	2	4	4
1	2	2	2	3	3
2	2	2	2	4	4
3	2	2	2	4	4
4	3	3	3	3	4
5	2	2	2	4	5
6	2	2	2	4	4
7	2	2	2	4	4
8	2	2	2	4	4
9	2	2	2	4	4

South Beach Uppercase Letters

Widths Measured in Inches

	Width: Decal Letters Only			Width: Letters & Decals					Quantity of pre-drilled stud holes				
	1"	2"	3"	4"	6"	8"	12"	15"	4"	6"	8"	12"	15"
A	1.05	2.09	3.14	4.18	6.27	8.36	12.54	15.68	3	3	3	4	4
B	0.86	1.72	2.88	3.44	5.16	6.88	10.32	12.90	3	3	3	4	4
C	0.81	1.62	2.42	3.23	4.85	6.46	9.70	12.12	3	3	3	4	4
D	0.90	1.80	2.71	3.61	5.41	7.21	10.82	13.53	3	3	3	4	4
E	0.79	1.57	2.36	3.15	4.72	6.30	9.44	11.81	3	3	3	5	5
F	0.77	1.54	2.32	3.09	4.63	6.18	9.26	11.58	2	2	3	4	4
G	0.88	1.77	2.65	3.54	5.31	7.08	10.62	13.27	3	3	3	5	5
H	0.83	1.66	2.50	3.33	4.99	6.66	9.99	12.48	2	2	4	4	4
I	0.18	0.37	0.55	0.73	1.10	1.46	2.20	2.74	2	2	2	3	3
J	0.65	1.31	1.96	2.61	3.92	5.23	7.84	9.81	2	2	2	3	3
K	0.87	1.73	2.60	3.46	5.19	6.92	10.38	12.98	2	2	4	5	5
L	0.66	1.32	1.98	2.64	3.95	5.27	7.91	9.89	2	2	2	3	3
M	1.12	2.24	3.35	4.47	6.71	8.94	13.41	16.77	2	2	4	5	5
N	0.86	1.73	2.59	3.46	5.19	6.92	10.38	12.97	2	2	4	4	4
O	0.98	1.95	2.93	3.9	5.86	7.81	11.71	14.64	2	2	4	4	4
P	0.84	1.68	2.52	3.36	5.04	6.72	10.08	12.60	2	2	3	4	4
Q	1.01	2.03	3.04	4.05	6.08	8.10	12.15	15.19	2	2	4	4	4
R	0.88	1.75	2.63	3.50	5.26	7.01	10.51	13.14	2	2	3	4	4
S	0.89	1.78	2.67	3.56	5.33	7.11	10.67	13.33	2	2	3	4	4
T	0.86	1.72	2.57	3.43	5.15	6.86	10.29	12.87	2	2	2	3	4
U	0.86	1.72	2.58	3.44	5.16	6.88	10.33	12.91	3	3	3	4	4
V	1.06	2.11	3.17	4.23	6.34	8.46	12.68	15.85	3	3	3	3	3
W	1.42	2.83	4.25	5.66	8.49	11.32	16.98	21.23	2	2	4	5	5
X	0.97	1.94	2.91	3.87	5.81	7.75	11.62	14.53	2	2	4	4	4
Y	0.97	1.93	2.90	3.86	5.79	7.72	11.59	14.48	3	3	3	3	4
Z	0.85	1.70	2.55	3.40	5.10	6.80	10.20	12.75	2	2	3	4	4

DECALS ONLY DECALS ONLY DECALS ONLY

South Beach Lowercase Numbers

Widths Measured in Inches

	Width: Decal Letters Only			Width: Letters & Decals					Quantity of pre-drilled stud holes				
	1"	2"	3"	4"	6"	8"	12"	15"	4"	6"	8"	12"	15"
a	0.71	1.42	2.13	2.84	4.26	5.68	8.52	10.66	2	2	2	3	3
b	0.71	1.41	2.12	2.83	4.24	5.65	8.48	10.60	2	2	2	3	3
c	0.63	1.25	1.88	2.51	3.76	5.02	7.52	9.40	2	2	2	3	3
d	0.71	1.41	2.12	2.83	4.24	5.65	8.48	10.60	2	2	2	3	3
e	0.61	1.22	1.83	2.44	3.67	4.89	7.33	9.16	2	2	2	3	3
f	0.52	1.03	1.55	2.07	3.10	4.14	6.20	7.75	2	2	2	3	3
g	0.70	1.41	2.11	2.82	4.23	5.64	8.46	10.57	2	2	2	3	3
h	0.67	1.35	2.02	2.69	4.04	5.39	8.08	10.10	2	2	3	4	4
i	0.17	0.34	0.51	0.68	1.02	1.36	2.04	2.55	3	3	3	3	3
j	0.36	0.72	1.08	1.45	2.17	2.89	4.34	5.42	3	3	3	4	4
k	0.68	1.36	2.05	2.73	4.09	5.46	8.19	10.23	2	2	3	4	4
l	0.17	0.34	0.51	0.68	1.02	1.36	2.03	2.54	2	2	2	3	3
m	1.01	2.02	3.03	4.04	6.06	8.08	12.13	15.16	2	2	3	4	4
n	0.65	1.31	1.96	2.61	3.92	5.23	7.84	9.80	2	2	2	3	3
o	0.76	1.52	2.27	3.03	4.55	6.06	9.10	11.37	2	2	2	3	3
p	0.70	1.41	2.11	2.82	4.23	5.64	8.46	10.57	2	2	2	3	3
q	0.70	1.41	2.11	2.82	4.23	5.64	8.46	10.57	2	2	2	3	3
r	0.52	1.05	1.57	2.10	3.15	4.20	6.29	7.87	2	2	2	3	3
s	0.69	1.37	2.06	2.74	4.11	5.48	8.23	10.28	2	2	2	3	3
t	0.51	1.01	1.52	2.02	3.03	4.04	6.06	7.58	2	2	2	3	3
u	0.65	1.31	1.96	2.61	3.92	5.23	7.84	9.80	2	2	2	3	3
v	0.79	1.59	2.38	3.18	4.77	6.36	9.54	11.92	3	3	3	3	3
w	1.01	2.02	3.03	4.04	6.06	8.08	12.13	15.16	2	2	3	4	4
x	0.77	1.54	2.30	3.07	4.61	6.14	9.21	11.51	2	2	2	4	4
y	0.65	1.30	1.95	2.60	3.90	5.19	7.79	9.74	2	2	2	3	3
z	0.65	1.30	1.95	2.60	3.90	5.21	7.81	9.76	2	2	3	4	4

DECALS ONLY DECALS ONLY DECALS ONLY

5 | About Modern House Numbers

[Contact Us](#)

[Our Story](#)

Contact Us

Customer care is always our top priority. We're here to provide you with excellent customer service. Please reach out for personalized design assistance, custom pricing estimates and digital proofs at hello@modernhousenumbers.com. For Trade and Industry Professionals, email your Trade Representative, Terry Billingsley, at terry@modernhousenumbers.com.

Our Story

Modern House Numbers was founded in Tucson, Arizona by architects Brandy & Rick McLain in 2008 during their own home renovation. After all these years, every Modern House Numbers product is still handcrafted and shipped to you by our team in Tucson. International shipping available to select locations. Learn more about Brandy & Rick, and their story, on the [About](#) page online.

A more beautiful world, one number at a time.

At Modern House Numbers everything we offer is thoughtfully designed, impeccably crafted, and simple to install. We believe that modern details create a more beautiful world. That's why we've created products that empower you to add style and value to your environment, wherever you live.

modernhousenumbers.com